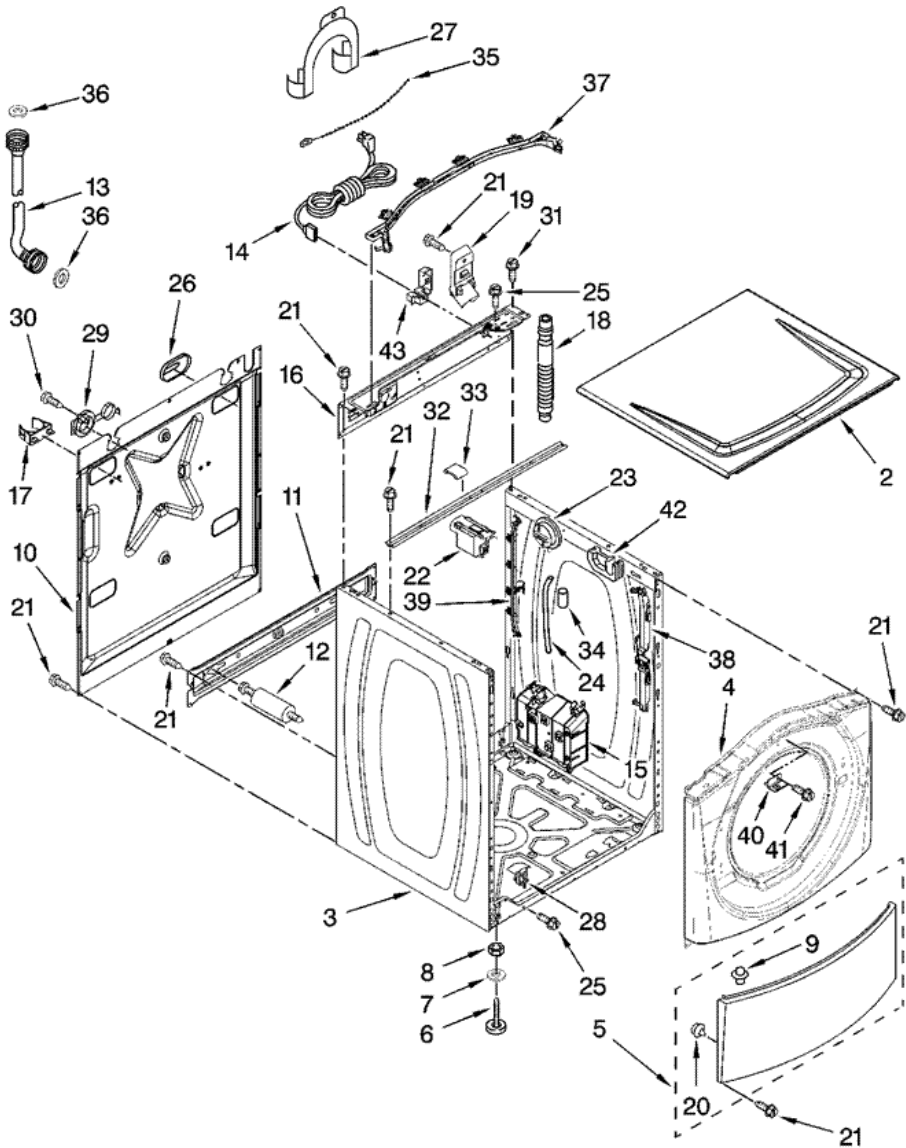




ERNANDO EPÚLVEDA

SERVICIO Y REFACCIONES
ELECTRODOMÉSTICAS

MFW8500SR02 GABINETE





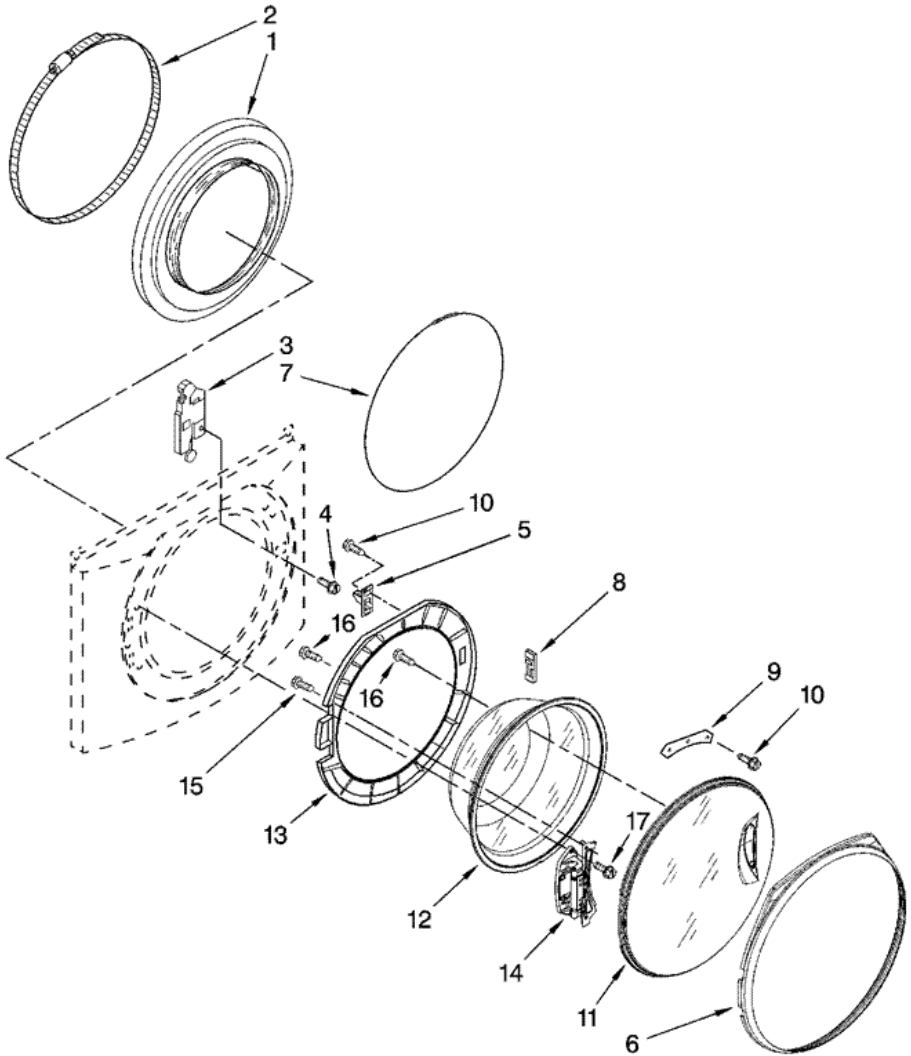
ERNANDO EPULVEDA

**SERVICIO Y REFACCIONES
ELECTRODOMESTICAS**

MFW8500SR02 GABINETE

2	8540716	TOP (S/P)
3	8540548	CABINET (S/P)
4	8540746	PANEL, FRONT (S/P)
5	8540664	TOE PANEL (S/P)
6	389102	FOOT, LEVELING (4)
7	487576	WASHER, PLASTIC (S/P)
8	3359452	NUT, LOCK (4) (S/P)
9	8518891	RIVET (2) (S/P)
10	8540580	PANEL, REAR (S/P)
11	8540581	BRACE, TRANSPORT (S/P)
12	279993	BOLT, SHIPPING (4) (S/P)
13	89503	HOSE, WATER INLET (BLUE COUPLER)
14	8182649	CORD, POWER (S/P)
15	W10163007	MOTOR CONTROL UNIT
16	8540974	BRACE, REAR (S/P)
17	8540093	CLAMP, TUBE TRANSPORTATION (S/P)
18	W10114608	HOSE, DRAIN (S/P)
19	8540607	RETAINER, HOSE OUTLET (S/P)
20	238614	BUMPER (2) (S/P)
21	W10015090	SCREW, 8-18 X 5/8 (S/P)
22	8540230	FILTER, INTERFERENCE
23	W10163980	SWITCH, PRESSURE
24	8540294	HOSE, PRESSURE SWITCH (S/P)
25	8540479	SCREW, GROUNDING (S/P)
26	8540268	COVER, TRANSPORT (S/P)
27	W10280024	U-BEND, DRAIN HOSE (S/P)
28	W10085220	MICROSWITCH (2) (S/P)
29	8182699	SLEEVE, CORD SUPPORT (2) (S/P)
30	8540727	SCREW, 3 X 8 MM (S/P)
31	8540329	SCREW (S/P)
32	8540720	BRACE, TOP (INCLUDES ITEM 33) (S/P)
33	8283273	DAMPER, BRACE (S/P)
34	2162499	SLEEVE, PRESSURE SWITCH HOSE (S/P)

35	3347868	CABLE TIE (S/P)
36	16123	WASHER, WATER INLET HOSE (4) 1-1/16 X 5/8 (S/P)
37	W10168548	HARNESS CHANNEL, TOP REAR (S/P)
38	W10168546	HARNESS CHANNEL, SIDE FRONT (S/P)
39	W10168547	HARNESS CHANNEL, SIDE REAR (S/P)
40	8540669	BRACKET, CONSOLE RETAINER (S/P)
41	8533954	SCREW (S/P)
42	8540644	BRACKET, SPRING (S/P)
43	8182635	STRAIN RELIEF, POWER CORD (S/P)



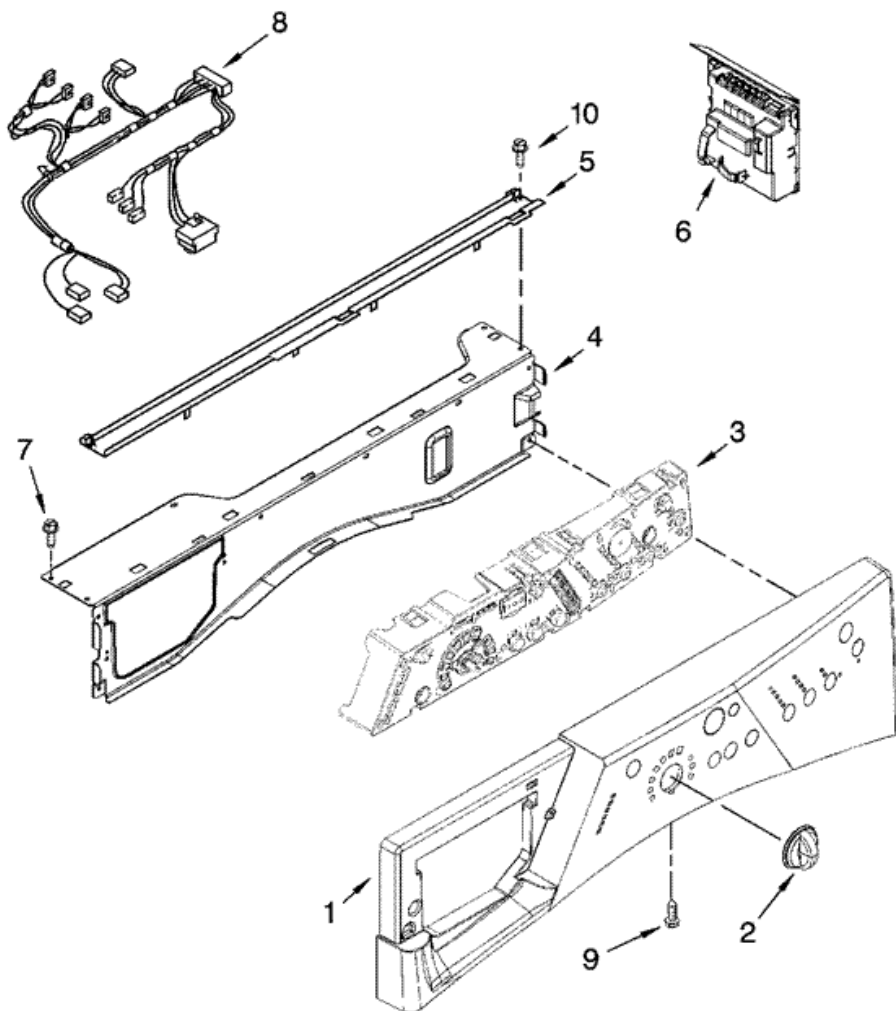


FERNANDO EPULVEDA

**SERVICIO Y REFACCIONES
ELECTRODOMESTICAS**

MWFW8500SR02 PUERTA

1	8540952	BELLOW (S/P)
2	8540108	CLAMP, BELLOW (S/P)
3	8540772	LOCK, DOOR
4	8540725	SCREW (S/P)
5	W10111148	HOOK, DOOR (S/P)
6	8540859	TRIM RING, OUTER DOOR (S/P)
7	W10217563	CLAMP, BELLOW (FRONT) (S/P)
8	8540115	CLAMP, SUPPORT
9	8540114	CLAMP, GLASS (2) (S/P)
10	8540513	SCREW (S/P)
11	8540896	FRAME, DOOR FRONT ASSEMBLY (S/P)
12	W10112078	GLASS, DOOR (S/P)
13	W10138523	DOOR, BACK SUPPORT (S/P)
14	W10118967	HINGE, DOOR (S/P)
15	8540284	SCREW (S/P)
16	8540282	SCREW (S/P)
17	W10015090	SCREW (S/P)



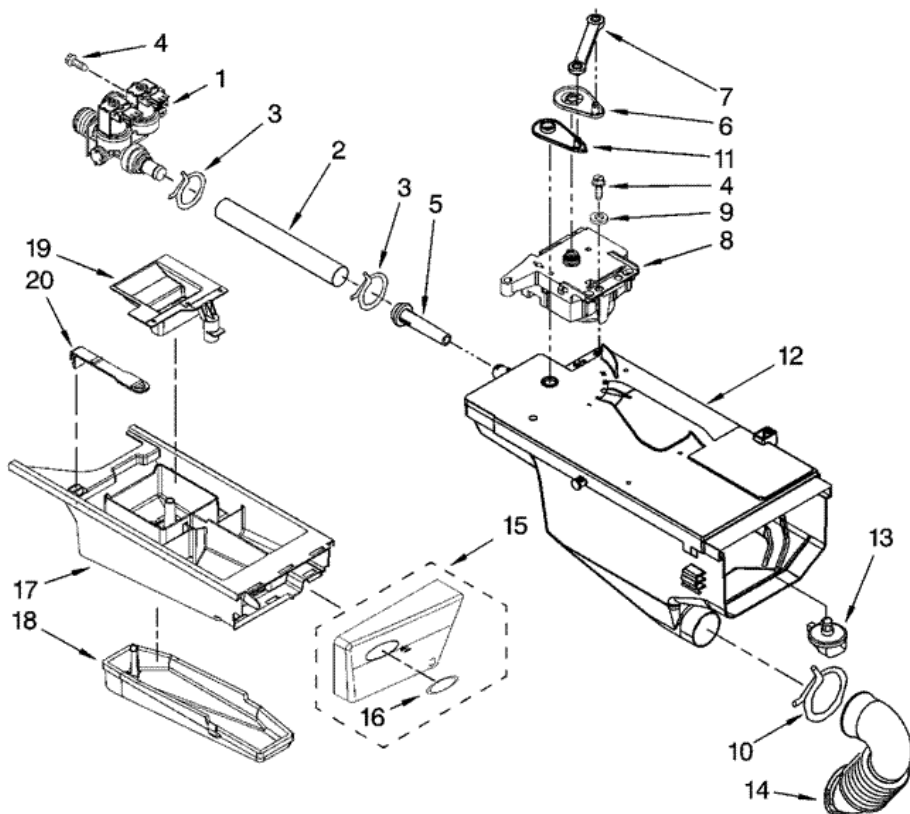
1	W10099592	PANEL, CONTROL (S/P)
2	8574964	KNOB, CONTROL (S/P)
3	8574920	USER INTERFACE (S/P)
4	W10161692	BRACE, TOP FRONT (S/P)
5	8540839	CHANNEL, WATER (S/P)
6	W10205841	MICROCOMPUTER, MACHINE CONTROL (S/P)
7	3390647	SCREW, 8-18 X 1/2 (S/P)
8	W10184856	HARNESS, WIRING (MAIN) (S/P)
9	8540282	SCREW (S/P)
10	W10015090	SCREW, 8-18 X 5/8 (S/P)



ERNANDO EPULVEDA

SERVICIO Y REFACCIONES
ELECTRODOMESTICAS

MWFW8500SR02 DEPOSITO
DETERGENTE



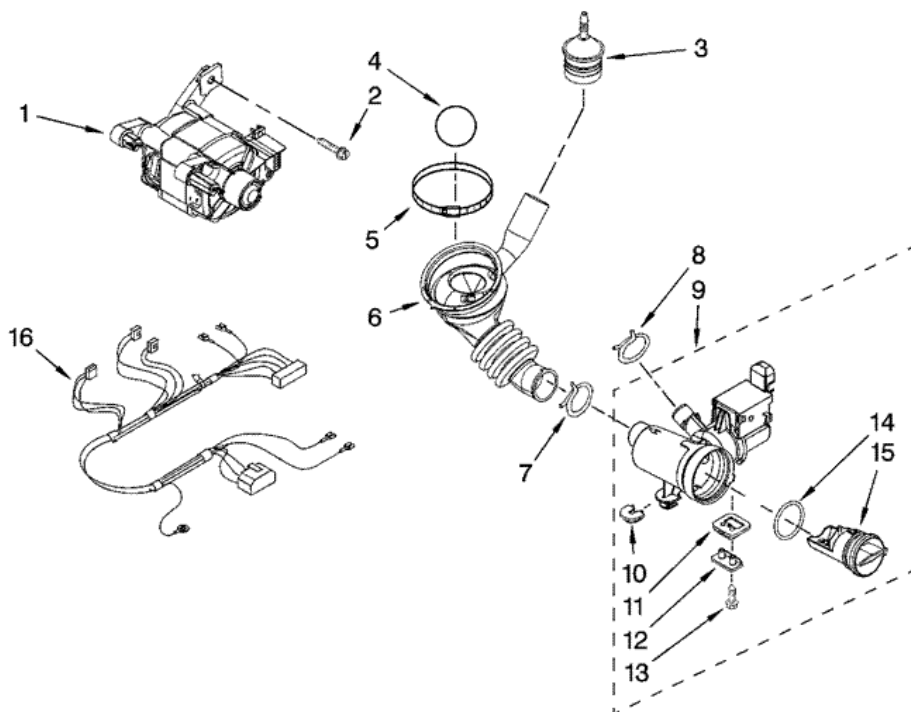


ERNANDO EPÚLVEDA

**SERVICIO Y REFACCIONES
ELECTRODOMESTICAS**

**MWW8500SR02 DEPOSITO
DETERGENTE**

1	8540043	VALVE, INLET
2	8540065	HOSE, VALVE TO DISPENSER
3	896669	CLAMP, HOSE (S/P)
4	8540282	SCREW (S/P)
5	8183181	NOZZLE, INLET (S/P)
6	8540393	CAM, ACTUATOR (S/P)
7	8540394	LEVER, WATER DISTRIBUTION (S/P)
8	W10143586	ACTUATOR
9	8526417	WASHER (S/P)
10	8281276	CLAMP, HOSE (S/P)
11	8540395	CONNECTION, LEVER (S/P)
12	8540058	DISPENSER (S/P)
13	8540053	NOZZLE, DISTRIBUTION (S/P)
14	8540063	HOSE, DISPENSER TO TUB
15	8574948	HANDLE, DRAWER (S/P)
16	8303811	MEDALLION (S/P)
17	8540402	DRAWER, DETERGENT (S/P)
18	8540399	COVER, DETERGENT DRAWER (S/P)
19	8540429	SIPHON, BLEACH/SOFTENER (S/P)
20	8181721	HOOK, DRAWER (S/P)



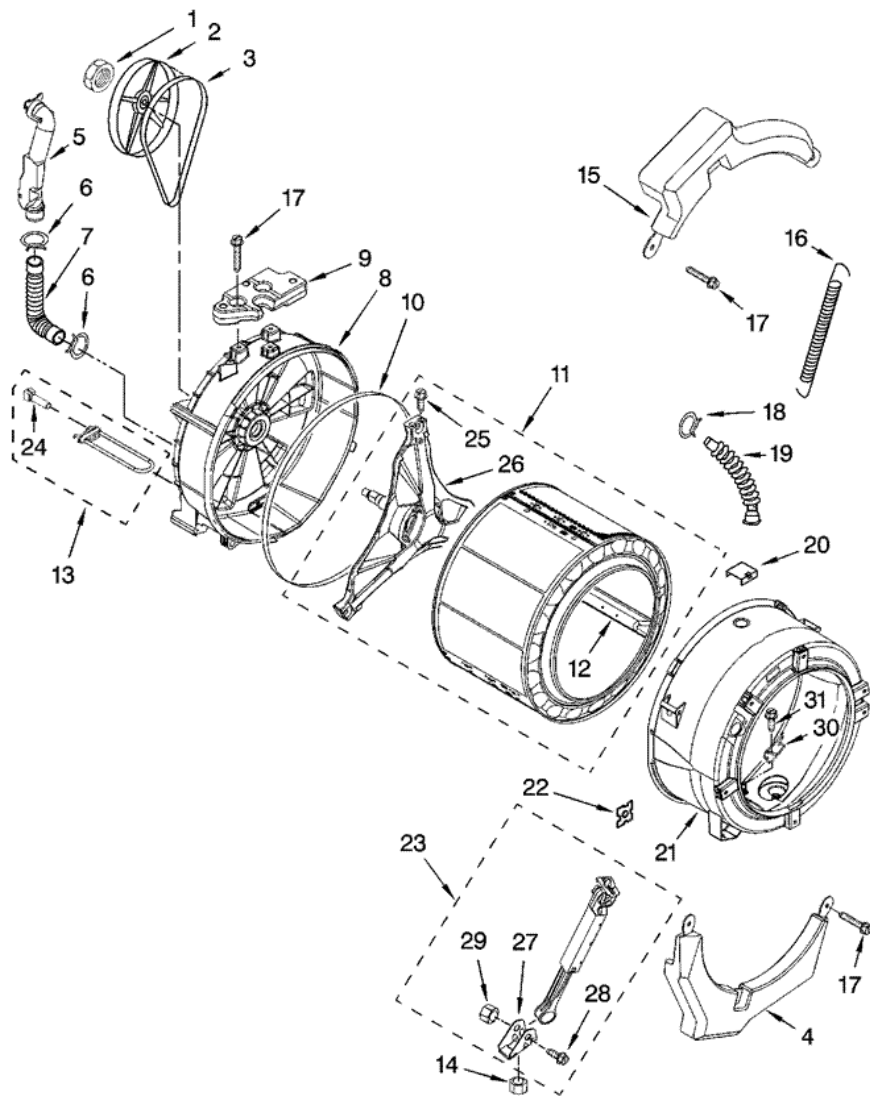
1	W10140581	MOTOR, DRIVE (S/P)
2	8540134	BOLT, MOTOR (S/P)
3	8540180	AIR TRAP (S/P)
4	8540013	BALL (S/P)
5	8540008	CLAMP (S/P)
6	8540012	HOSE, TUB TO PUMP (S/P)
7	616099	CLAMP, HOSE (S/P)
8	356138	CLAMP, DRAIN HOSE (S/P)
9	W10130913	PUMP (COMPLETE)
10	W10034820	FOOT, RUBBER (SLIDER) (S/P)
11	W10034830	FOOT, RUBBER (LOCK) (S/P)
12	8540033	CAP, LOCK FOOT (S/P)
13	8533964	SCREW, 10-16 X 1.25 (2) (S/P)
14	8540025	SEAL, FILTER CAP (S/P)
15	8540996	FILTER ASSEMBLY (INCLUDES ITEM 14) (S/P)
16	W10204534	HARNESS, MOTOR (S/P)



ERNANDO EPULVEDA

SERVICIO Y REFACCIONES
ELECTRODOMESTICAS

MWFW8500SR02 TINA



1	W10283361	NUT, PULLEY (S/P)
2	8540088C	PULLEY (S/P)
3	8540101	BELT, DRIVE (S/P)
4	W10200297	COUNTERWEIGHT, FRONT LOWER (S/P)
5	8540019	PIPE, VENTILATION
6	8181746	CLAMP, VENT HOSE (S/P)
7	8540019	HOSE, EXHAUST
8	280255	TUB, REAR (INCLUDES ITEMS 10 & 22) (S/P)
9	8540604	COUNTERWEIGHT, REAR (S/P)
10	W10111158	GASKET, TUB (S/P)
11	8540357	BASKET, COMPLETE (S/P)
12	8540360	BAFFLE, TUB (S/P)
13	8182666	ELEMENT, HEATING (S/P)
14	8534084	NUT, SHOCK ABSORBER MOUNTING (S/P)
15	W10200296	COUNTERWEIGHT, FRONT UPPER (S/P)
16	280159	SPRING, SUSPENSION (SET OF 2) (S/P)
17	W10094780	BOLT, COUNTERWEIGHT MTG. (S/P)
18	3363365	CLAMP, HOSE (S/P)
19	8540015	HOSE, EXHAUST
20	8540092	CLAMP, TUB (S/P)
21	280255	TUB, FRONT (INCLUDES ITEMS 10, 22, 30 & 31) (S/P)
22	8182512	NUT, PUSH-IN (S/P)
23	W10084740	SHOCK ABSORBER (S/P)
24	8181705	NEGATIVE THERMISTOR CONTROL (S/P)
25	8540382	SCREW (S/P)
26	8540342	CROSSPIECE ASM (S/P)
27	8540940	BRACKET, SHOCK ABSORBER MOUNTING (S/P)
28	8540841	BOLT, SHOCK BRKT. (S/P)
29	8540842	NUT, SHOCK BRKT. (S/P)
30	8540322	BRACKET, HEATING ELEMENT (S/P)
31	8540880	SCREW (S/P)